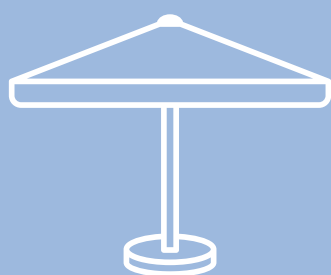


EN 1.2025

Parasol Classic

Instructions manual



LITEX
PROMO



Table of contents

1. Introduction	2
2. Information	3
2.1. Important symbols	3
2.2. Safety information	4
3. Content + Necessary tools	5
4. Construction	6
5. Space requirements	6
6. Mounting of the parasol + Protective covers	7
6.1. PD600RS: 3 x 3 m	7
6.2. PD700MR: 3,5 x 3,5 m, 4 m / 8	8
6.3. PDU-B40: 4 x 4 m	9
7. Exploitation of the parasol	10
7.1. Opening the parasol	10
7.2. Closing the parasol	10
8. Maintenance and care	11
9. Storage	12
10. Service and parts	12
11. Support	12
12. Diagram of dismantling the parasol	13

1. Introduction

Litex Promo offers a durable, high-quality advanced product in the form of a sunshade. The characteristic feature of the parasol is its functionality and modern design, providing a sense of comfort. The parasol is a perfect addition to any outdoor area of a restaurant or hotel.

The instruction manual applies to the sun parasol and considers the following:

- Safety,
- Installation,
- Operation,
- Maintenance.

The manufacturer Litex Promo Sp. z o.o. is not liable for damage resulting from failure to observe these instructions; such damage is also not subject to warranty. The General Terms and Conditions are available on the manufacturer's website. Litex Promo Sp. z o.o. informs you that it is absolutely necessary to read and follow this instruction manual before using the parasol.

You've got doubts? Not everything is understandable?

Contact us:

e-mail: info@litex.pl

The parasol has been designed to act as a shield from the sun and is therefore intended exclusively for such use. It is absolutely necessary to use it only:

- As intended, i.e. as a sunshade,
- Under correct technical conditions,
- Under correct weather conditions.

Irregularities which may affect the safety and functioning of the parasol must be repaired immediately, otherwise its further use is forbidden.

All basic maintenance operations described in the manual can be carried out by the user. Any other complicated repair operations should not be carried out by persons not competent to safely operate the tools used for repair.

In connection with our positive verification of the quality and environmental management systems, we present confirmation of our competence in the various fields directly related to the production of high-quality garden parasols.

Certificates and standards

- ISO 9001:2015 certification
- ISO 14001:2015 certification
- ISO 45001:2018 certification
- AQAP 2110:2016 certification
- ECOVADIS 2024 Certified
- Certificate of Conformity OBAC/0330/CZ/24.



We comply with the standards and system environmental management.

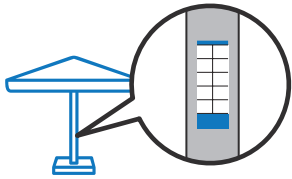


We comply with the international standards of the organisation's quality management system.

2. Information

2.1. Important symbols

The graphic symbols contained on the sticker on the pole and specify the following safety information:



Labeling for parasol – nameplate.



Attention

This symbol indicates information that relates to the danger of injury or accident. The parasol should be transported and installed by at least two people.

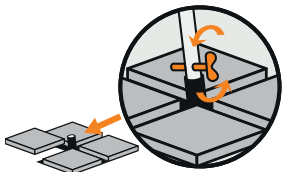


Disclaimer

This symbol indicates general guidelines for the operation of the parasol in windy conditions. The permissible wind speed for the use of the particular parasol can be found on the sticker on the parasol pole.



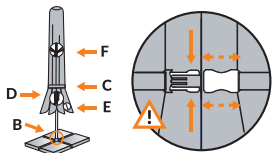
This symbol indicates general operating instructions for the product. The base of the parasol must be levelled.



This symbol indicates general operating instructions for the product. The parasol base must be placed on a firm surface. The parasol must be mounted to the cap of the parasol base using the supplied screw.



This symbol indicates general instructions for use of the product. The parasol base must be dedicated to the type of parasol as declared by the manufacturer (example > 160 kg means that the base must weigh more than 160 kg - the weight of the base depends on the model of parasol).



This symbol indicates general instructions for use of the product. When folded, the parasol must be fastened with a safety band to prevent it from opening by itself.



Tip

You've got doubts? Not everything is understandable?
Contact us:
e-mail: info@lifex.pl



2.2. Safety information

Attention: Safety hazard!

- Parasol should only be placed on a stable base and in the original bases designed for it.
- Always ensure that the pole is firmly attached to the parasol base.
- Always close the parasol and put the cover on when moderate winds increase, rain or snowfall comes.
- Do not hang any objects (e.g. clothes) on the ribs of the parasol.
- The parasol is not designed for use in snow load conditions. In this case, the parasol absolutely must be closed and fastened with a safety band to prevent it from opening by itself.
- We do not recommend mounting and positioning parasols at levels other than ground level (such as balconies, roofs, high terraces, etc.).

A description of the wind force indicated on the sticker on the parasol mast

Winds of approximately 10.7 m/s (38 km/h):

- Impacts on land: small branches in motion.
- Effects on water: sea rumbles, wind whistles, longer wave (1,2 m), waves with foam on ridges.

In the event of predicted strong winds and/or thunderstorms (especially communicated weather alerts), the product should be secured - close, fasten with a safety belt, pull from the base and put away in a safe place.

Warning: During storms and strong winds, no persons or animals are allowed within the parasol. We also recommend that you remove any objects that could be damaged. The manufacturer is not responsible for the consequences of unpredictable weather phenomena.

Warning: Risk of accident!

- Before opening the sunshade, make sure there are no people around and before closing it, make sure there are no people under the sunshade.
- A sun parasol is not a toy.
- Make sure that children do not use the sunshade as a play area or climbing object.

Caution: Risk of fire!

No open fires, e.g. garden barbecues or barbecues, are allowed under or near the parasol.

Note: Risk of damage to health!

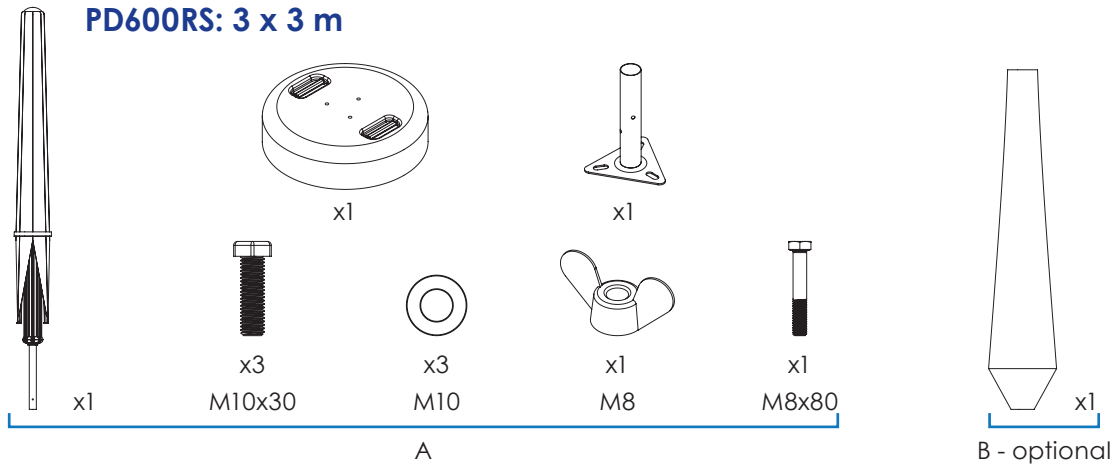
Repair work on the parasol must only be carried out by a person competent to use the required tools.

Warning: Risk of an accident!

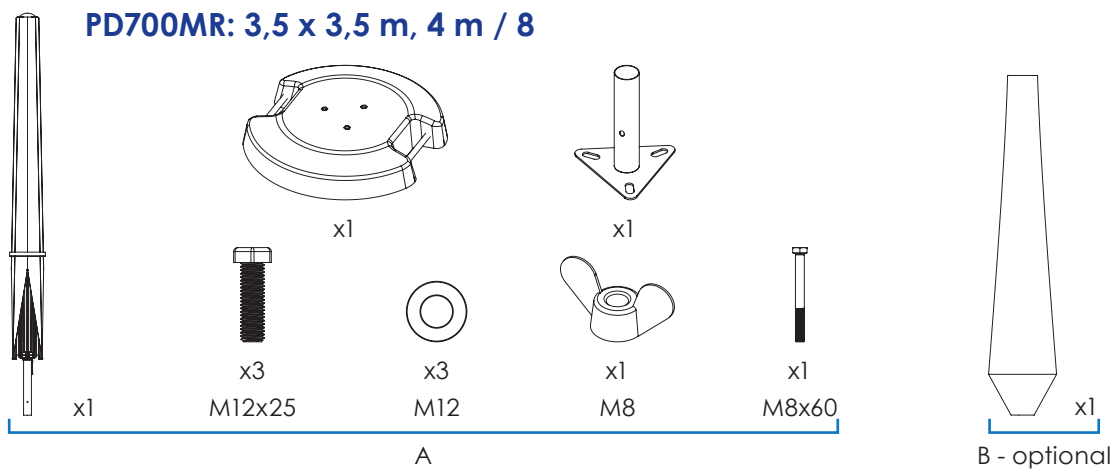
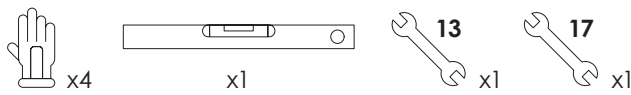
It is easier to install a parasol with the second adult's help. Before installing make sure that parasol base is safely mounted and stable. Due to the weight of the base, it should be transported by min. two adults. Once the base is in position, insert the parasol into the base tube and secure by inserting and tightening the locking bolt provided. Tighten the bolt to the maximum resistance.

During operation, the user must check / control the tightening of the screws of both the base and the parasol cap.

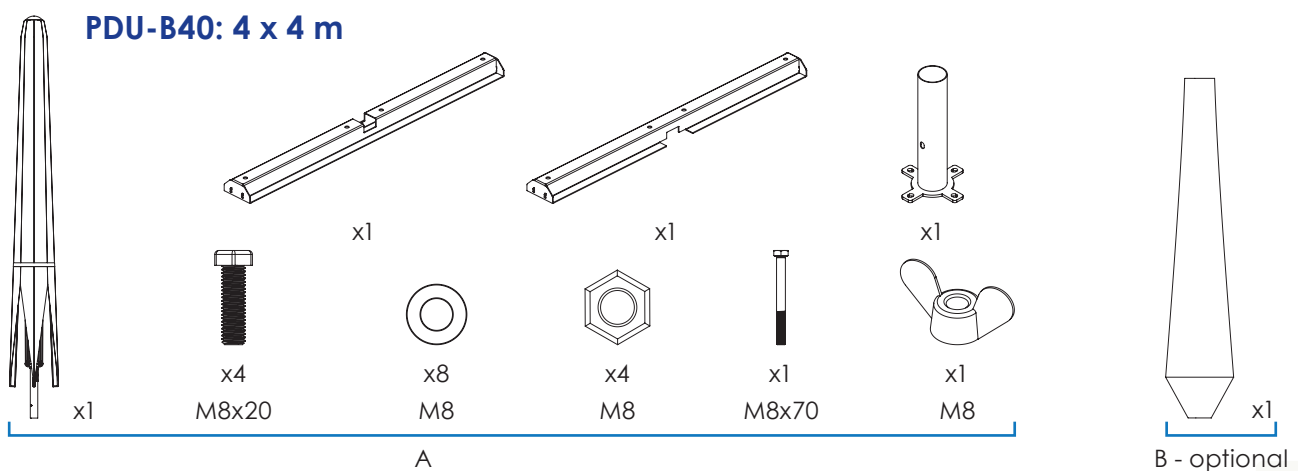
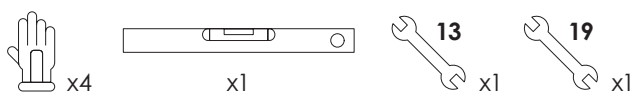
3. Content + Necessary tools



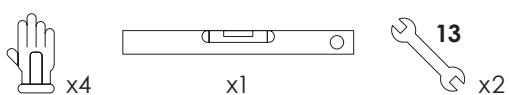
Necessary tools



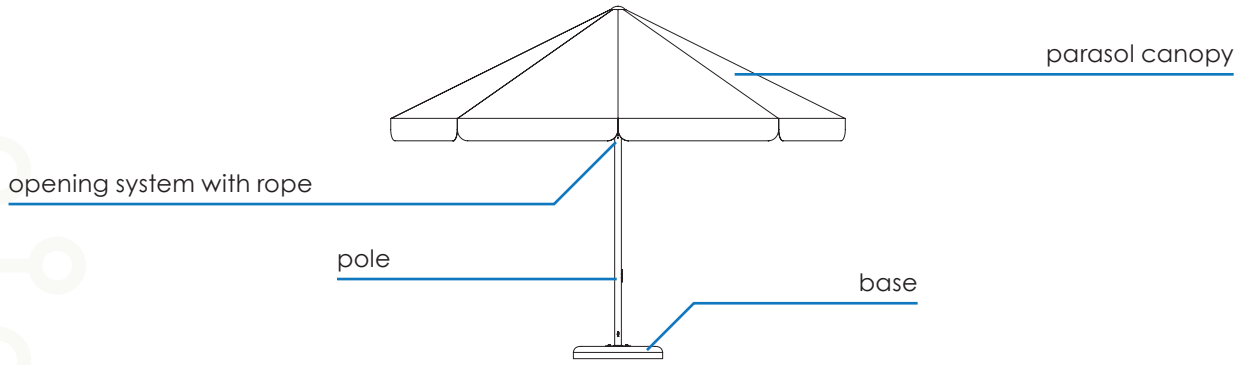
Necessary tools



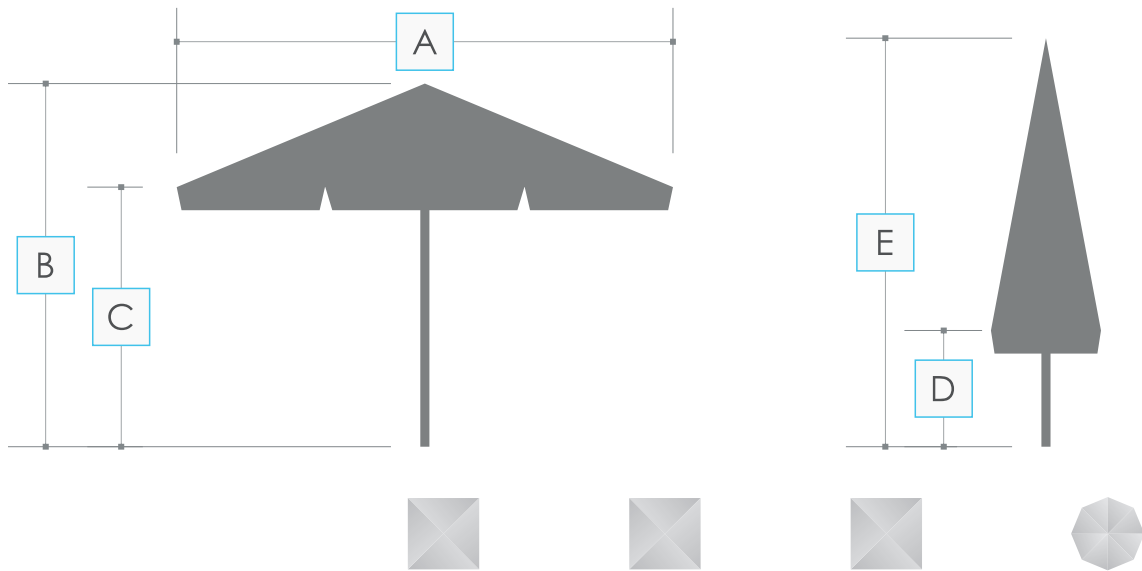
Necessary tools



4. Construction



5. Space requirements

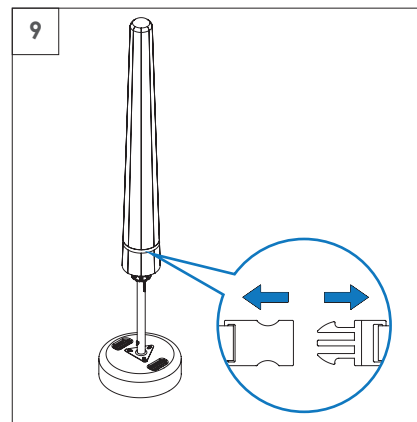
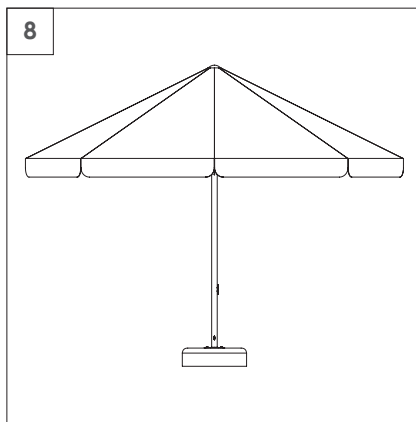
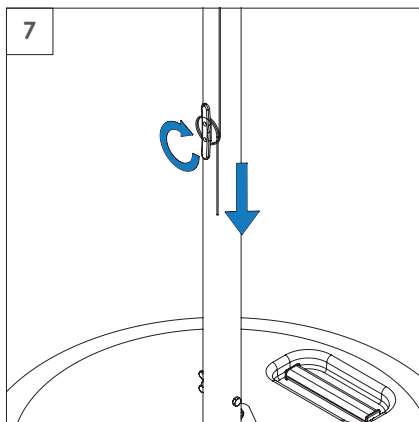
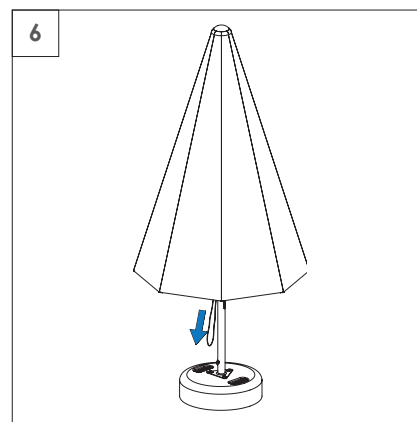
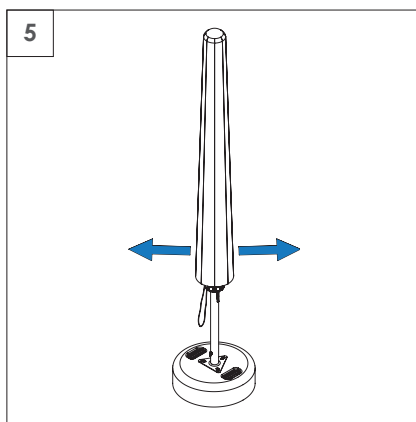
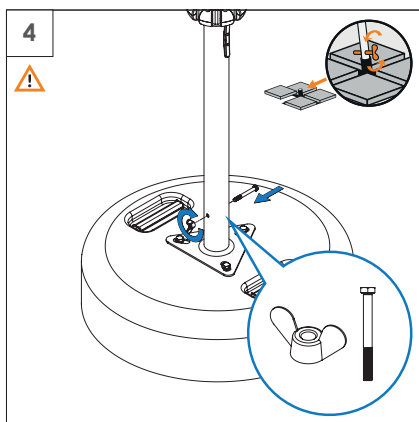
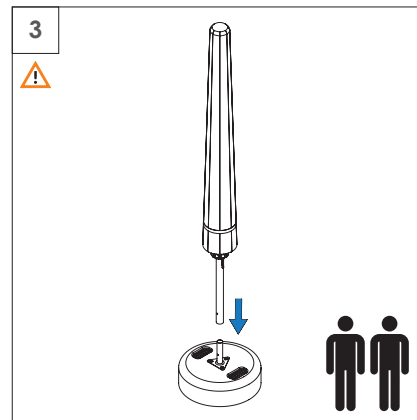
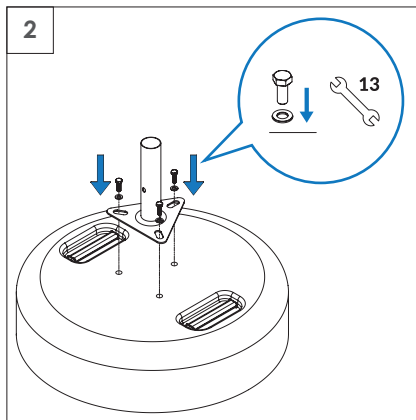
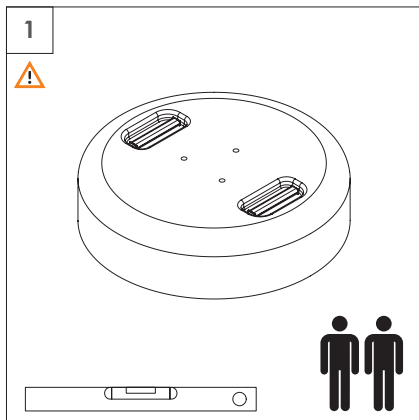


Size	3 x 3 m	3,5 x 3,5 m	4 x 4 m	4 m / 8
Dimensions [mm]	A: 3000 B: 2800 C: 2100 D: 635 E: 2800	A: 3500 B: 3000 C: 2160 D: 440 E: 3000	A: 4000 B: 3150 C: 2270 D: 250 E: 3150	A: 4000 B: 3000 C: 2000 D: 780 E: 3000

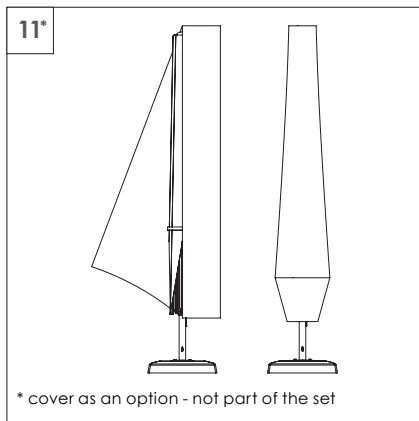
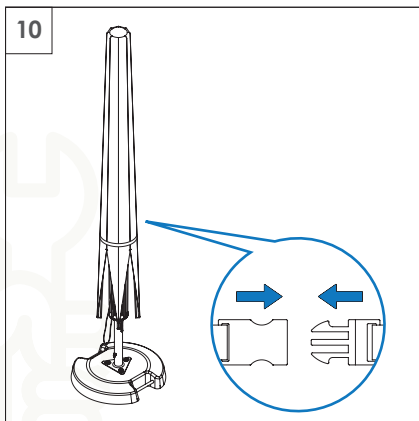
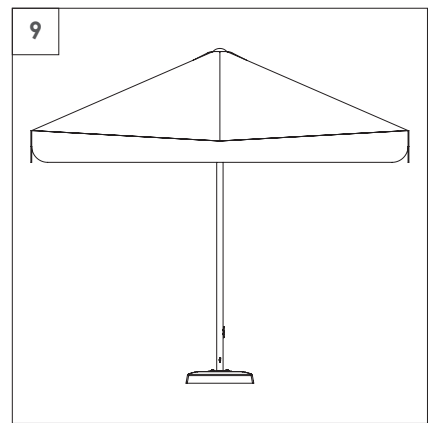
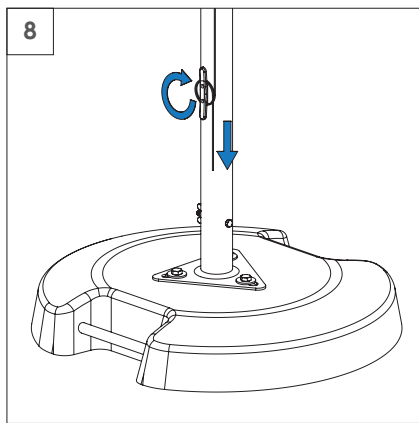
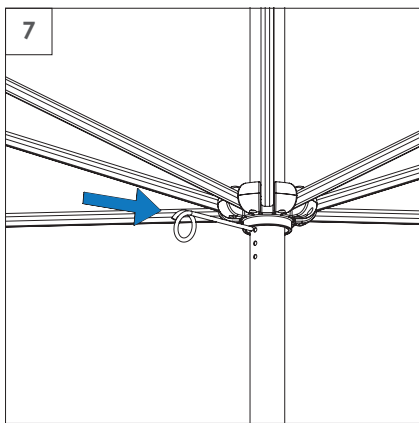
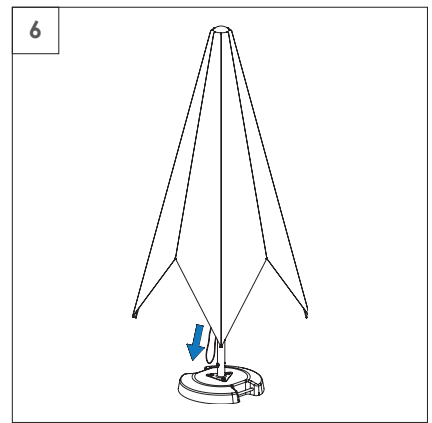
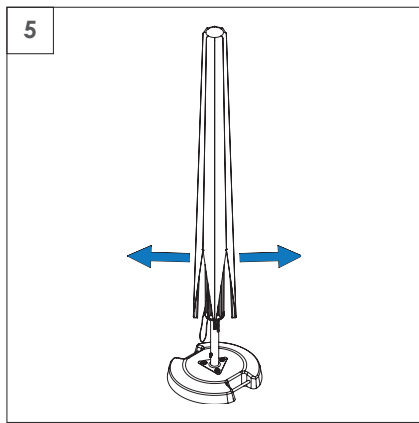
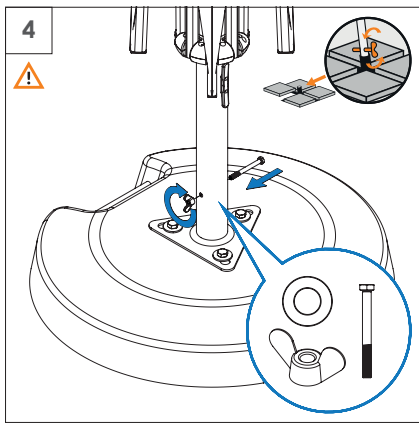
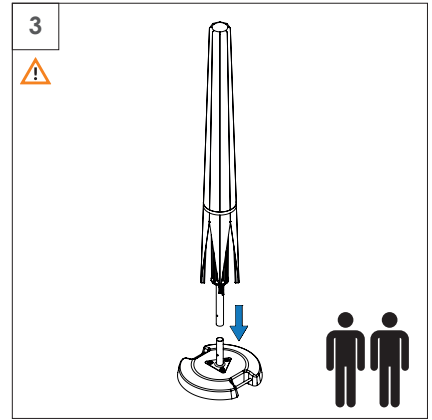
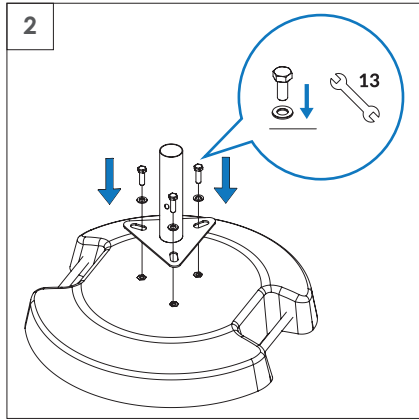
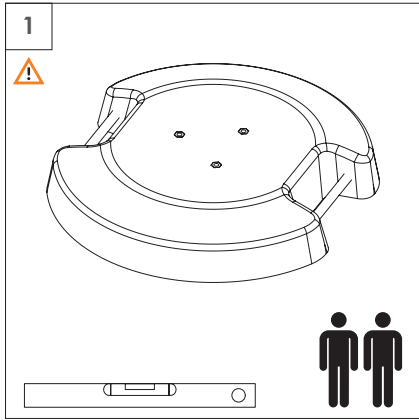


6. Mounting of the parasol + Protective cover

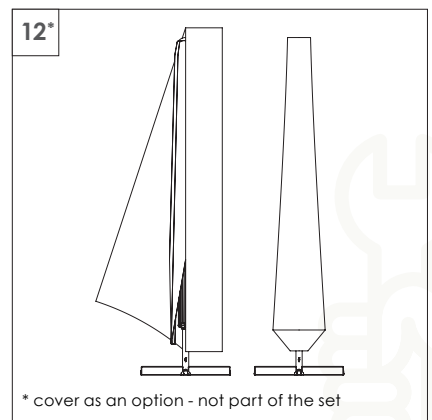
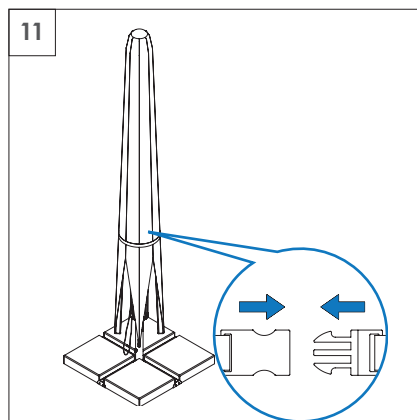
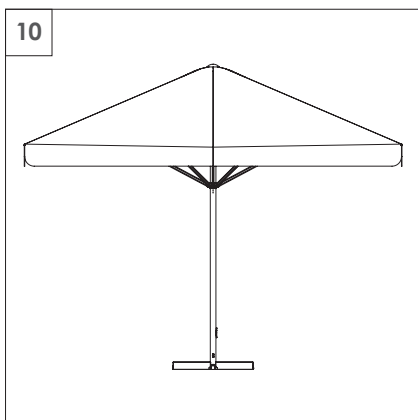
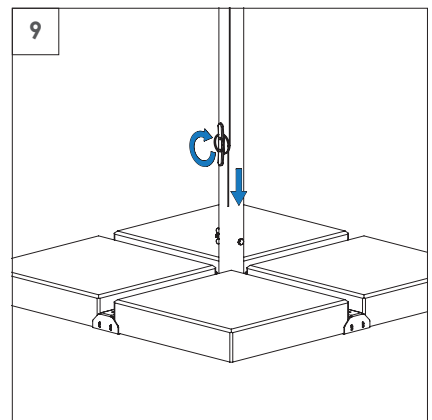
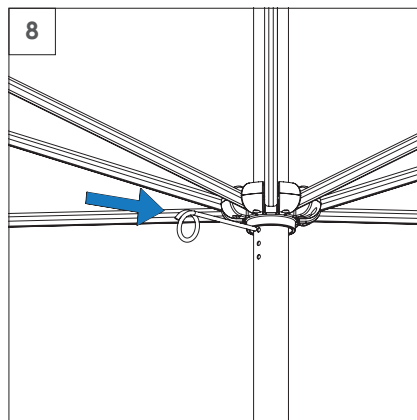
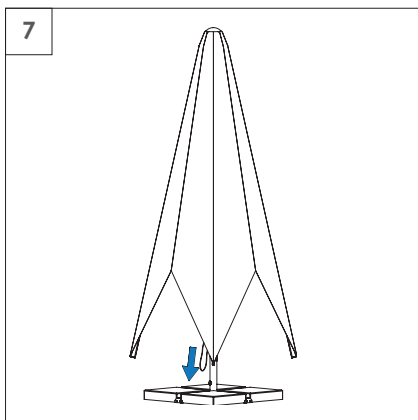
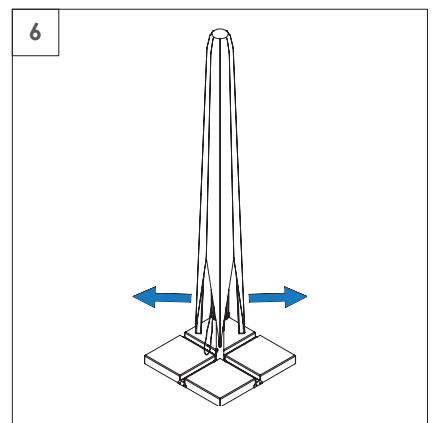
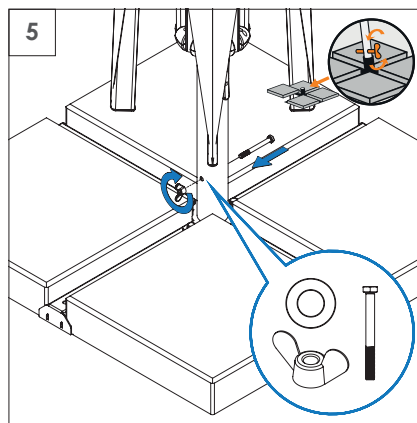
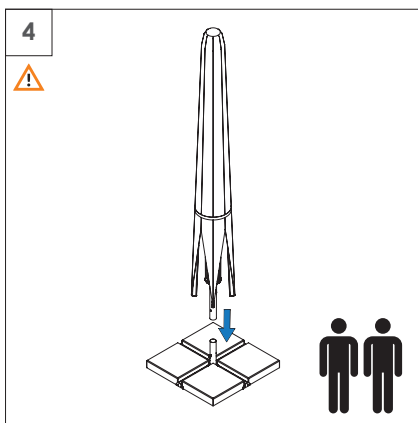
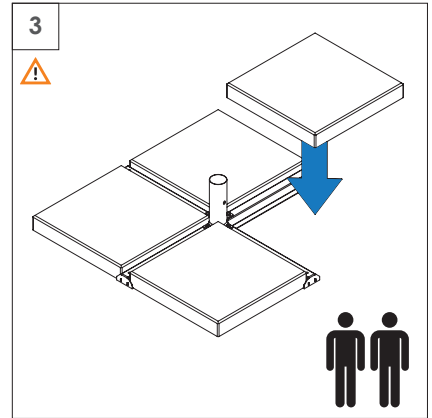
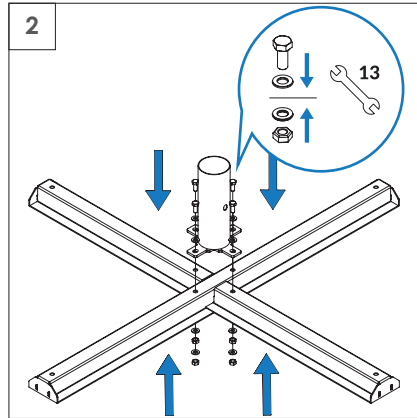
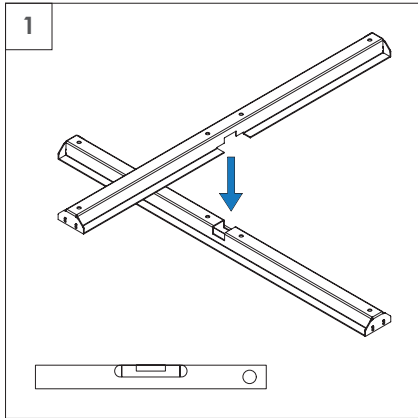
6.1. PD600RS: 3 x 3 m



6.2. PD700MR: 3,5 x 3,5 m, 4 m / 8



6.3. PDU-B40: 4 x 4 m



7. Exploitation of the parasol

7.1. Opening the parasol

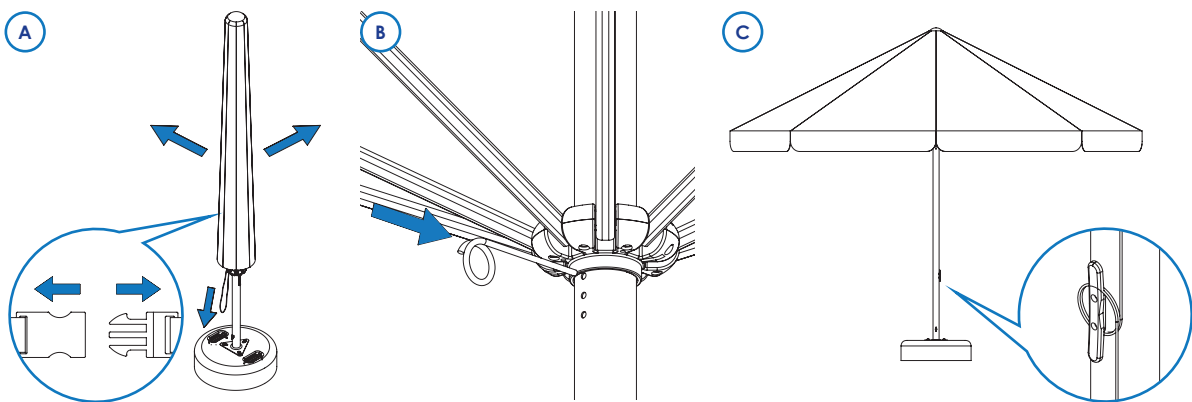
⚠ Warning: Risk of an accident!

Before opening the parasol, make sure that no persons or objects are in the vicinity of the parasol. To unfold the parasol canopy:

Fig. A. Gently open the ribs, then pull the parasol cord downwards.

Fig. B. Once the canopy is fully unfolded, secure the parasol against dropping by inserting a pin (which is a kind of locking pin on the string, securing the canopy against sudden closure) into one of the holes under the crossbar.

Fig. C. Secure the cord by tying it around the cleat (the handle located at the bottom of the mast).



7.2. Closing the parasol

⚠ Attention: Safety hazard

Before closing the parasol make sure that there are no people or objects near it. To fold the parasol canopy:

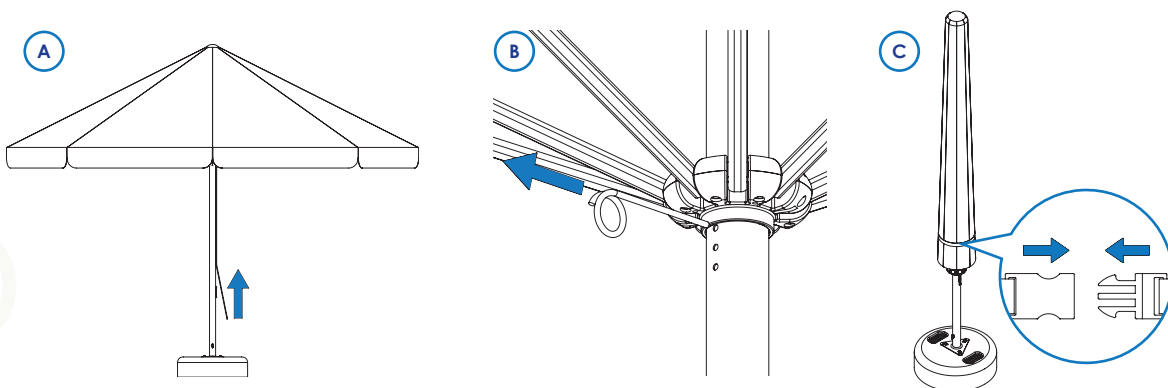
Fig. A. Unwind the cord from the cleat (the catch at the bottom of the mast).

Fig. B. Pull the pin out from under the lower cross bar and then slowly lower the canopy by loosening the cord.

Fig. C. Fasten the safety band.

💡 Tip

In order to avoid staining of the cover, you should only close the parasol in dry weather conditions. We also recommend purchasing a protective cover. If the parasol has been closed while being wet, open it as soon as possible and let it dry. Any kind of position change may take place only after folding the parasol. It is advisable to seek the help of a second person.



⚠ Attention: Safety hazard

FASTEN THE SAFETY BAND (Fig. C). Failure to fasten the band may cause the umbrella to open automatically during a gust of wind, which poses a further risk of health loss, property damage, and even loss of life.

8. Maintenance and care

The customer should carry out a thorough inspection of the parasol using the list below, after the first installation or before storing the parasol. Do not use any sharp tools such as knives or metal scrapers or caustic cleaners to clean the parasol. Do not use garden hoses or high-pressure cleaners for cleaning.

Canopy / Textile:

- Do not chemically clean the canopy / fabric.
- Water wash by hand - lightly squeeze.
- Surface wash - lightly rub heavily soiled areas with a wet sponge. Washing temperature-maximum 40°C.
- Type of washing agent - light washing agents for coloured products, e.g. grey soap.
- Draining and drying - do not twist, dry upright hanging in the open air at 19 - 25 degrees Celsius.
- Do not use organic or chemical solvents and do not chlorinate.
- Keep away from open flames. In case of arson, extinguish with water, powder or snow extinguisher.

Frame construction elements:

- Cleaning with a damp cloth soaked in soapy water or washing-up liquid to remove dust, dirt and other debris from the structure.
- Before the start of the summer season, it is recommended to maintain the parasol mast on which the opening mechanism moves. The mast should be cleaned with a cloth soaked in benzine (do not use on plastic parts), and then apply a thin layer of silicone oil in order to make the mechanism work more smoothly. Maintenance should be carried out at a frequency depending on the conditions of use and weather conditions, absolutely before the start of the season, and whenever the parasol components (including the frame) are dirty.

Removing the cover:

Tools required: crosshead screwdriver or screwdriver

STEPS:

- Loosen the screw and remove the hood from the top of the parasol.
- Detach the Velcro fasteners from the main frame ribs.
- Remove the pockets securing the cover to the frame on the long ribs
- Unscrew the ties securing the cover to the frame on the short ribs.
- Remove the cover.

Putting the cover on is done in the reverse order.

Annual maintenance:

The customer should carry out a thorough inspection of the parasol using the list below, after the first assembly or before storing the parasol for a long time.

Control activities	Check the canopy cover	Check the string for unfolding the canopy and the pin	Check the frame for damages	Check the tightness of all screws
Problem solution	In case of damage replace cover ¹	In case of damage change the damaged part ¹	In case of damage replace the frame ¹	Tighten loose screws
Control activities	Check for loosening of cleats	Check the condition of the parasol base	Check visually the parasol technical condition	
Problem solution	In case of loosening, tighten the cleat	If damaged, replace the damaged part ¹	Replace the damaged part ¹	

¹ Please contact the seller's service

9. Storage

The parasol and all its parts must be stored in a dry, frost-free room.

To avoid stains or dirt, before folding the parasol:

- Clean the base, frame and cover.
- Allow the covering to dry completely.
- If you have bought a protective cover you should put it on and store the parasol in this way. If you don't have a dedicated cover you should protect your parasol with another form of protection such as air permeable fabric.
- Keep out of reach of rodents.

⚠ Caution: before storing or transporting the parasol, pull the cover from between the arms of the frame. Failing to do so may result in damage to the fabric.

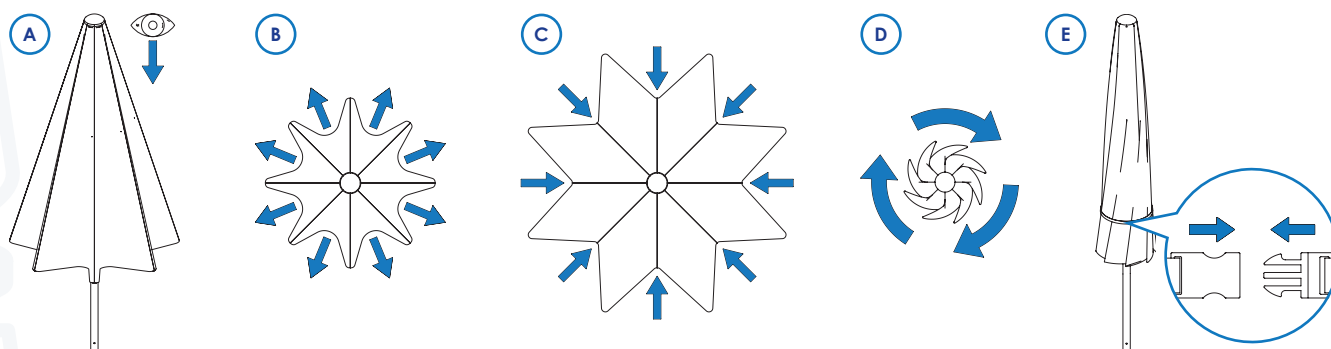
Fig. A. Open the arms of the parasol.

Fig. B. Pull the canopy out in the direction of the arrows.

Fig. C. Close the arms in the direction of the arrows.

Fig. D. Wrap the canopy around the closed parasol.

Fig. E. Fasten the safety band.



10. Service and parts

If you have any questions about installation or ordering spare parts, please contact Customer Service (contact at www.litex.pl or by e-mail at info@litex.pl). In case of complaint, please register it via the complaint form available at www.litex.pl.

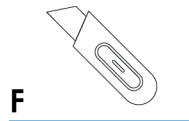
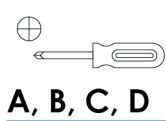
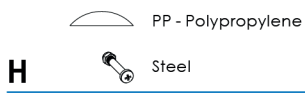
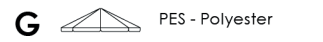
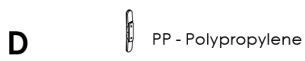
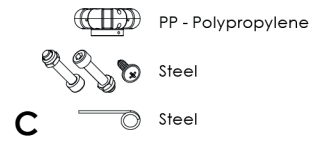
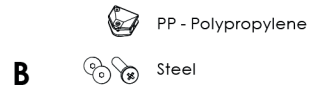
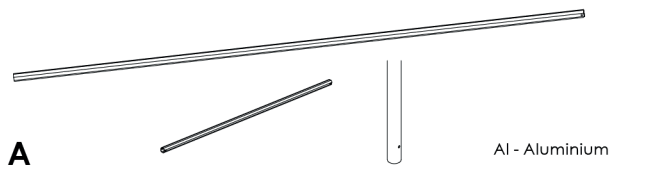
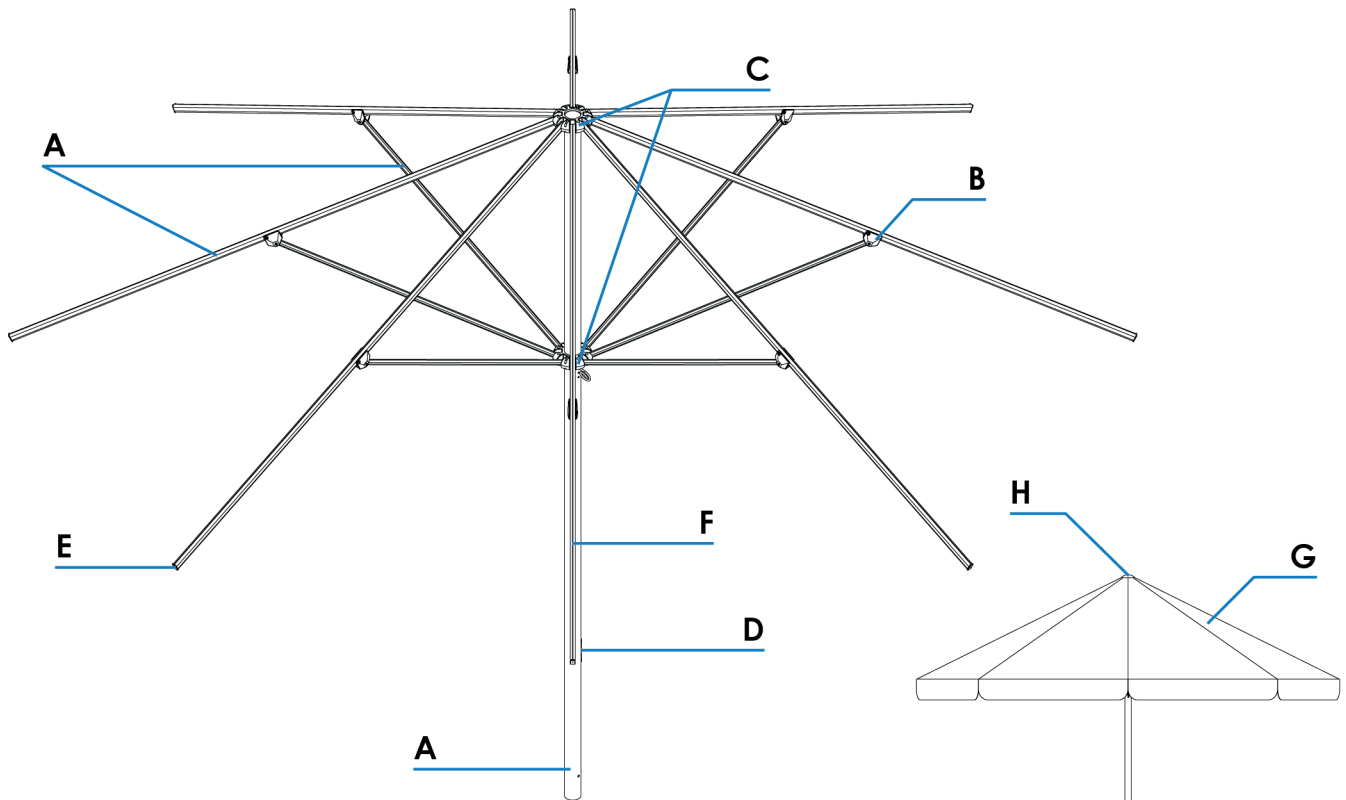
11. Support

You've got doubts? Not everything is understandable?

Contact us:

e-mail: info@litex.pl

12. Diagram of dismantling the parasol



Useful life: until the product retains its useful qualities. Disassembly is performed by the product owner.
Recycling method for all materials except the covering: material. Recycling method for the cover: fuel. Manual work required.



LITEX

PROMO

Litex Promo Sp. z o.o.
Staroprzygodzka 117
63-400 Ostrów Wielkopolski

info@litex.pl
www.litex.pl