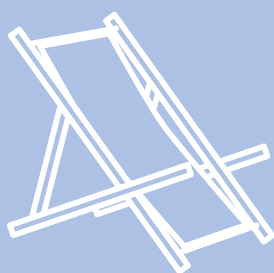


EN 1.2024

Wooden deck chair

Instructions manual



LITEX
PROMO



Table of contents

1. Introduction	2
2. Information	3
2.1. Safety information	3
3. Installation	3
3.1. Contents of the kit	3
3.2. Installation instructions	3
4. Instructions for replacing the cover- removing the cover	4
5. Instructions for replacing the cover - installation of cover	5
6. Deck chair with valance and cushion	6
7. Maintenance and care	7
8. Storage	8
9. Service and parts	9
10. Support	10

1. Introduction

Litex Promo offers a high-quality, advanced advertising product in the form of a wooden deckchair with an exchangeable cover function. A wooden deckchair with any print means high functionality in an interesting form. Thanks to it, it is possible to shape both indoor and outdoor space in an interesting way during various events or to use it for lounge areas around catering gardens.

Instruction manual for wooden deckchair:

- Safety,
- Installation,
- Exploitation,
- Maintenance.

The manufacturer Litex Promo Sp. z o.o. is not liable for damage resulting from failure to observe these instructions; such damage is also not subject to warranty. Litex Promo Sp. z o.o. informs you that it is absolutely necessary to read and follow this instruction manual before using the wooden deck chair.

You've got doubts? Not everything is understandable?

Contact us:

e-mail: info@litex.pl

The wooden deck chair has been designed to serve the function of a seat and is therefore intended exclusively for this form of use. It is absolutely necessary to use it only:

- As intended, i.e. as a deckchair for sitting,
- Under correct technical conditions,
- Under correct weather conditions.

Irregularities which may affect the safety /and functioning of the wooden deckchair must be rectified immediately, otherwise its further use is prohibited.

All basic maintenance operations described in the manual can be carried out by the user. Any other complicated repair operations should not be carried out by persons not competent to safely operate the tools used for repair.

In connection with our positive verification of the quality and environmental management systems, we provide evidence of our competence in various areas directly related to production of high-quality outdoor advertising products.

Certificates and standards

- Certificate ISO 9001:2015
 - Certificate ISO 14001:2015
 - Certificate ISO 45001:2018
 - Certificate AQAP 2110:2016
 - ECOVADIS 2023 Certified
 - Mechanical safety
- PN EN 581-1: 2017-04; PN EN 581-2: 2016-02



We comply with the standards and system environmental management.



We comply with the international standards of the organisation's quality management system.

2. Information

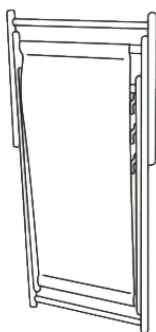
2.1. Safety information

Attention: Safety hazard

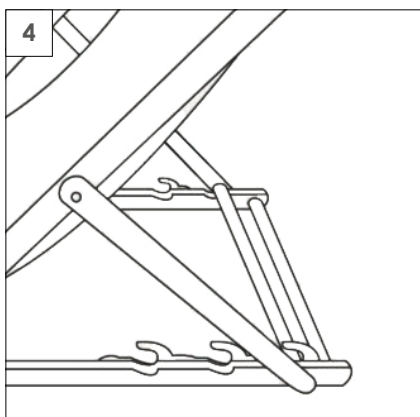
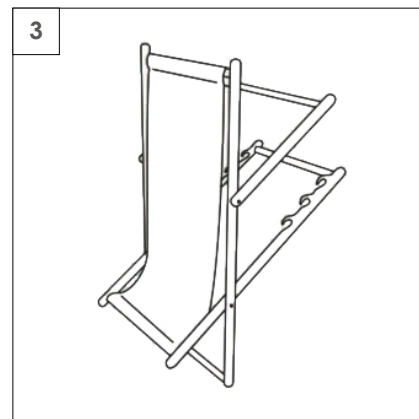
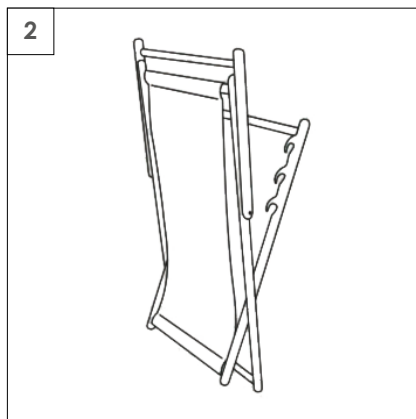
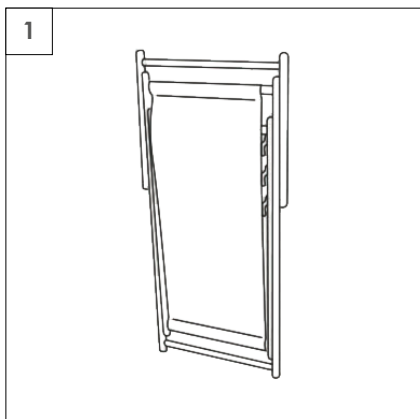
- Only place the deckchair on a stable surface.
- Always ensure that the backrest of the deckchair is firmly unfolded in accordance with the assembly instructions.
- The permissible user weight of an wooden deckchair should be max. 110 kg.
- To ensure that the wooden deckchair retains its performance, it is advisable to store it away when it rains.
- The instructions for the wooden deckchair should be in the place where the deckchair is used.

3. Installation

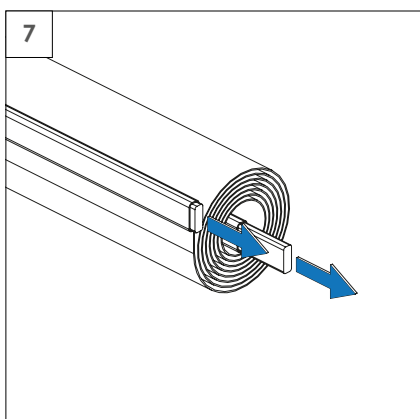
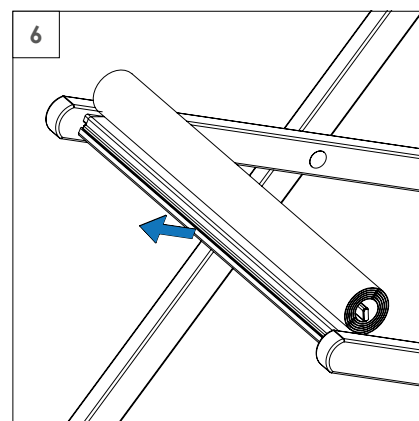
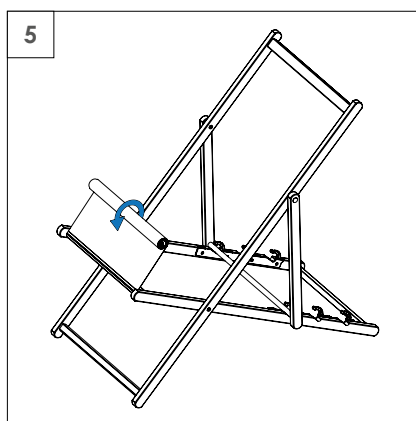
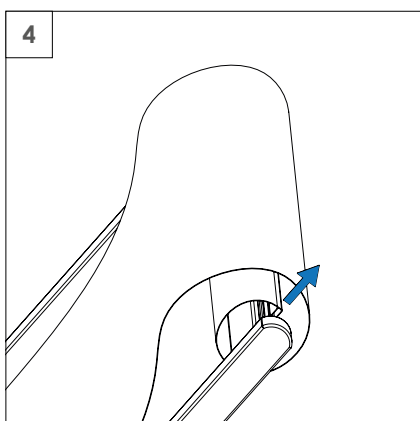
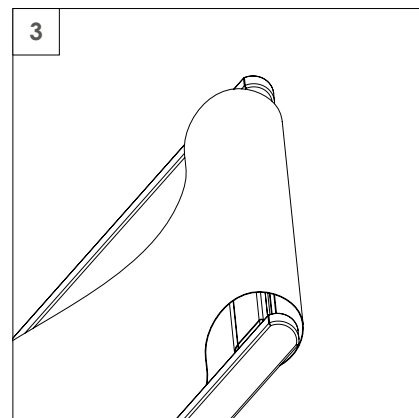
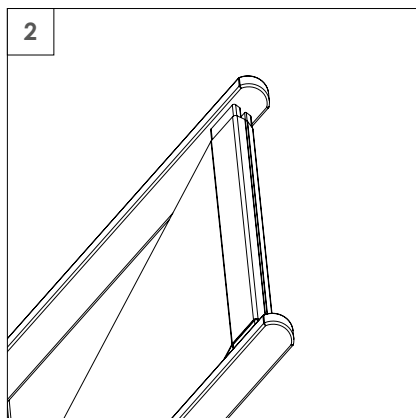
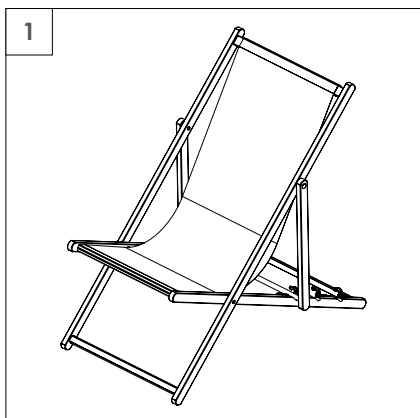
3.1. Contents of the kit



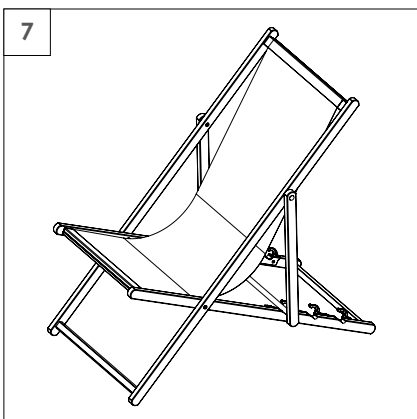
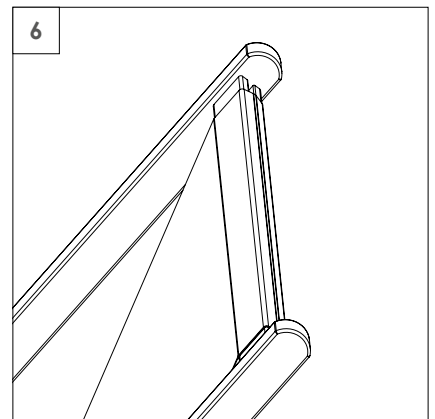
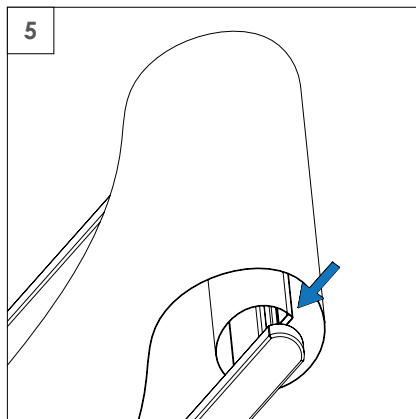
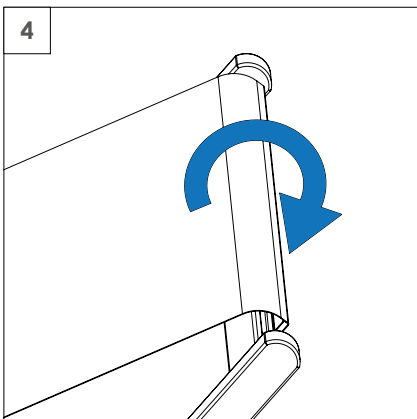
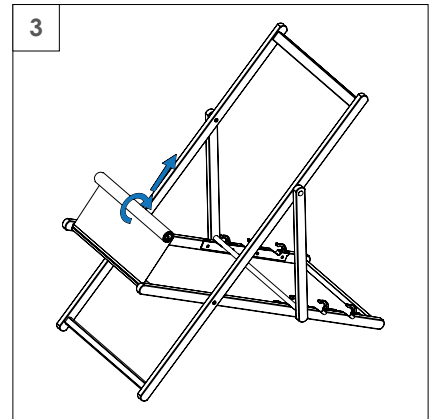
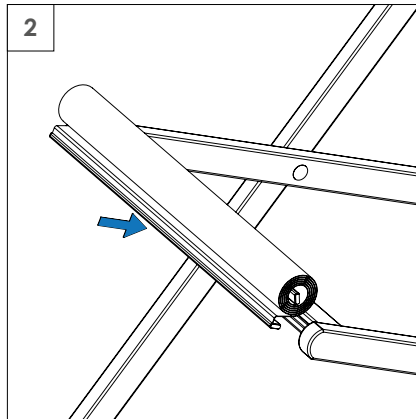
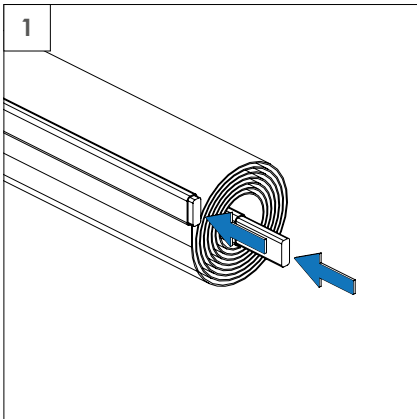
3.2. Installation instructions



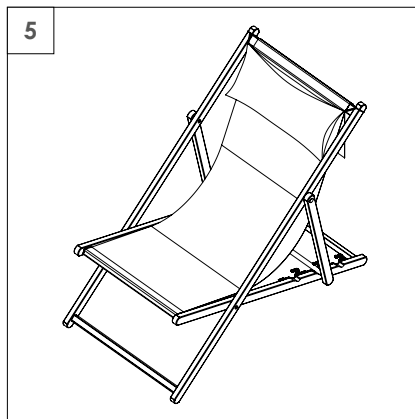
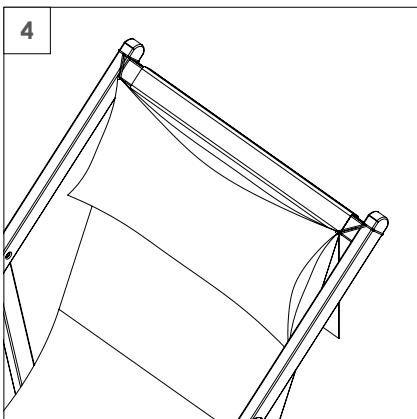
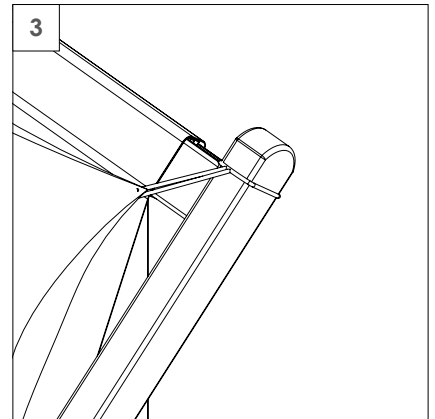
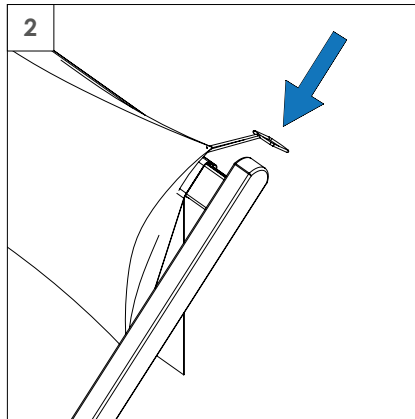
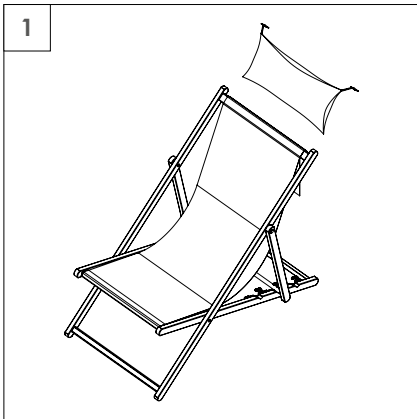
4. Instructions for replacing the cover- removing the cover



5. Instructions for replacing the cover - installation of cover



6. Deck chair with valance and cushion



7. Maintenance and care

The customer should inspect the product thoroughly using the following inventory, after initial assembly or before putting it in storage.

Sharp tools such as knives or metal scrapers, or corrosive cleaning chemicals should not be used to clean the product. During cleaning water garden hoses or high-pressure cleaners should not be used.

Cover / Fabric:

- Do not dry-clean the cover/fabric,
- Hand washing ,
- Surface washing - gently rub heavily dirty areas with a wet sponge. Washing temperature - max. 40°C,
- Type of detergent - light detergents for coloured products, e.g. grey soap,
- Draining and drying - do not twist, hang dry upright in the open air at 19 - 25°C,
- Do not use organic or chemical solvents and do not chlorinate,
- Keep away from open flames. In case the product is set on fire, extinguish it using a water, powder or CO² extinguisher.

Beechwood frame construction elements: Our standard sale includes frames made of raw, untreated wood and should therefore not be exposed to extended contact with water. Cleaning should be carried out with wood care products.

Removing and attaching the cover: Follow the steps outlined in the instruction manual.

Annual maintenance: Annual maintenance The customer should inspect the product thoroughly using the list below, after first assembly or before storing the product for a long time.

Checking	Solving the problem
Check if the cover is attached correctly	Attach the cover according to the steps in the instruction manual
Check the strength of the cover	In case of tears or if the fabric is showing visible signs of wear - replace the cover
Check tightness of fixing screws	In case of loose screws - tighten; in case of damaged screw - replace screw
Check the attachment of adjustment brackets that enable the chair to recline	In case of loose combs - tighten; in case of damaged combs - replace combs

8. Storage

The wooden deckchair must be stored in a dry place, free from frost. When it rains, it should be stored away.

To avoid stains or dirt, before packing the wooden deckchair:

- Clean the base, frame and cover.
- Allow the deckchair to dry completely.
- Keep out of reach of rodents.

It is best to store the recliner in a reclining position to avoid warping (distortion) of the wood.

PLEASE NOTE: Distortion of the wood is a natural characteristic of the wood and is not subject to complaint.

9. Service and parts

If you have any questions about installation or ordering spare parts, please contact your account manager. In the event of a complaint, please register it via the complaint form available at www.litex.pl.

10. Support

You've got doubts? Not everything is understandable?

Contact us:

e-mail: info@litex.pl





Litex Promo Sp. z o.o.
Staroprzygodzka 117
63-400 Ostrów Wielkopolski

info@litex.pl
www.litex.pl